

BRUCHA panel DP-F

roof



fire protection

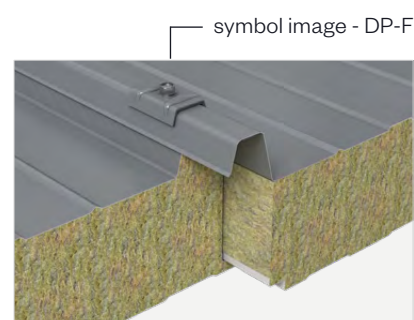
Minimum roof pitch 3° (5.2 %) without transverse joint and penetration.

BRUCHA panel DP-F with mineral wool core

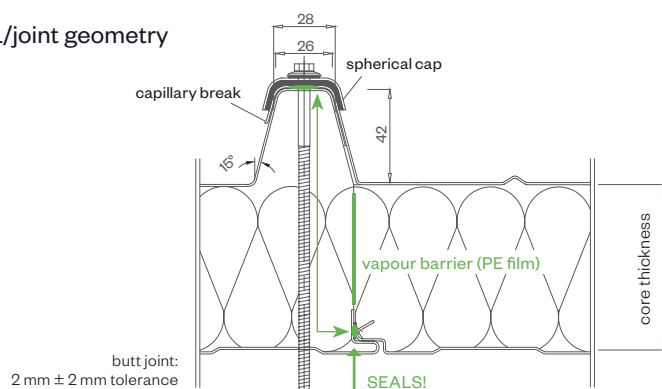
can be combined with BRUCHA panel DP with polyurethane core.

TRAPEZOID PROFILE

exterior - close-up



DETAIL/joint geometry



A notch in the eave area is required in order to rule out any possibility of the sheet metal shell lifting up from the insulation body (available at a surcharge). Similarly, a drip cap should be fitted in the eave area so as to prevent a capillary effect (only possible on the construction site). These measures prevent the formation of corrosion between the sheet metal shell and the insulation. We recommend to cover the core in the end with (part No. Z 13b) cog sheet.

PANEL TYPE	DP-F 102	DP-F 122	DP-F 142	DP-F 162	DP-F 182	DP-F 192	DP-F 202	DP-F 222	DP-F 242
core thickness mm	60	80	100	120	140	150	160	180	200
U-value W/m ² K - EN 14509 including joint section	0.659	0.504	0.409	0.344	0.297	0.278	0.261	0.233	0.210
weight kg/m ²	16.80	19.31	21.81	24.31	26.81	28.07	29.32	31.82	34.32
fire resistance*	REI 30	REI 90	REI 120	REI 120	REI 120	REI 120	REI 120	REI 120	REI 120

*Certificates must be checked for the usage case in question (horizontal/vertical/span width etc.).

MANUFACTURING TOLERANCES

in line with EN 14509

SOUND INSULATION

32 dB (frequency dependent)

MANUFACTURING LENGTHS max. 15.6 m (extra-long transport from 13.6 m) ATTENTION! Danger of kinking due to heavy weight in the case of long panels!

SPAN WIDTH TABLES

according SandStat. calculation

FIRE BEHAVIOR

in line with EN 13501-1, Euroclass A2s1d0, **non-combustible**

BRUCHA®



fire protection

BRUCHA panel DP-F

roof

DESIGN AND SURFACES Standard - coil-coated, hot-dip galvanised steel sheet

EXTERIOR

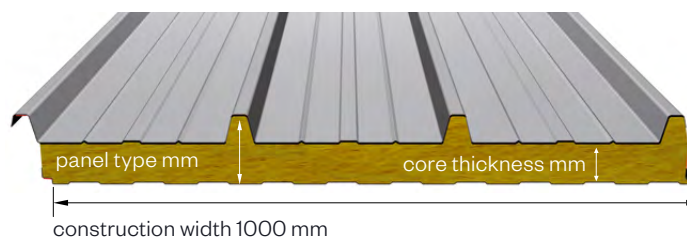
- Exposed side 25 µm polyester coating with a PVC protective film (not UV-resistant - protect from direct sunlight).
The film must be removed before installation or immediately afterwards.
- profile: trapezoidal profile, 42 mm (according to diagram)
- crown distance: 333.3 mm
- metal gauge: 0.6 mm (smaller metal gauge on request)

INTERIOR

- Exposed side has 25 µm polyester coating without protective PVC film (if required please specify with order).
- profile 1 = standard (profile 2 and 3 on request)
- metal gauge: 0.6 mm (smaller metal gauge on request)

INSULATION CORE

- structural, web-oriented mineral fibre wool
- securely attached to the sheet steel shell
- density approx. 120 kg/m³, 140 kg/m³ available on request



STANDARD COLORS

in accordance with BASIC color range

PANEL CONNECTION

- External, by overlapping of the profiles, whereby the non-foamed sheet of a panel is placed over the corresponding section of the next panel.
- On the underside, by special shaping, whereby the complementary profile to the profile of one roof panel overlaps the profile of the second panel. The included seals offer additional reliability, achieving a reliably tight connection.
- capillary break (acc. drawing)

TENDER TEXT

download from: brucha.com

EXTERNAL MONITORING National and international tests and quality standards. We will send the certificates on request.

VAPOUR DIFFUSION

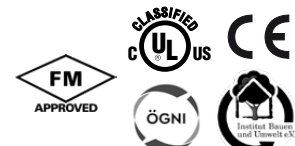
Determined by climatic conditions inside building. Panels must be installed vapour tight.

PANEL INSTALLATION

When working with our products, please follow our installation guidelines at brucha.com/downloads



brucha.com



BRUCHA panel DP-F roof



fire protection

SHEET METAL SEPARATION CUT – NOTCHES



A notch in the eave area is recommended in order to rule out any possibility of the sheet metal shell lifting up from the insulation body (available at a surcharge). Similarly, a drip cap should be fitted in the eave area so as to prevent a capillary effect (only possible on the construction site).

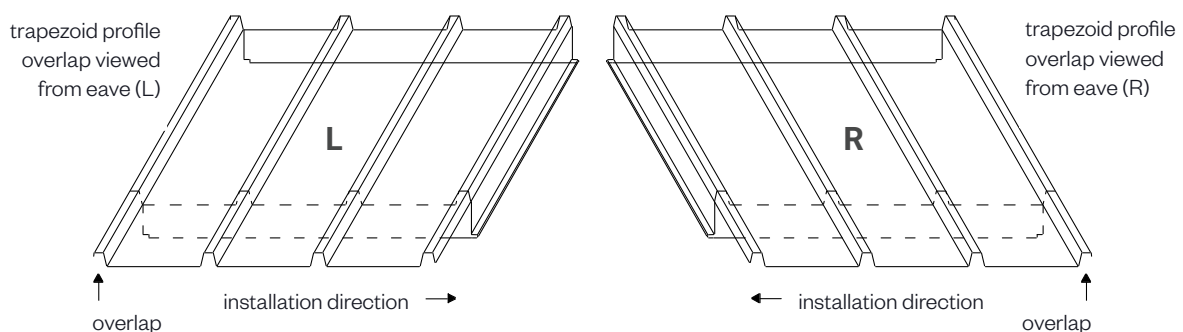
These measures prevent the formation of corrosion between the sheet metal shell and the insulation.

Please state when ordering	Notch length
NOTCH IN EAVE	60 mm (Standard)
NOTCH FOR OVERLAP	200 mm (Standard)

Possible notch lengths 60, 80, 100, 120, 150, 200, 250 and 300 mm

TRAPEZOID METAL SHEET 42/333 suitable for DP and DP-F

NOTCH METHOD (viewed from eave):





fire protection

BRUCHA panel DP-F roof

ROOF ELEMENTS WITH TRANSVERSE JOINT AND OVERLAP

With transverse joints, penetrations or roof lights – minimum pitch 5° (8.6 %)

